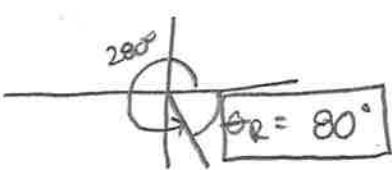
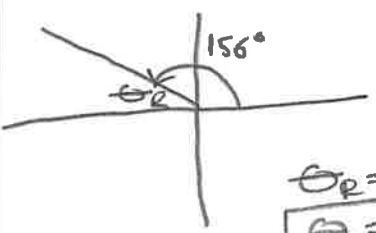


Section 7.1 – Final Exam Prep

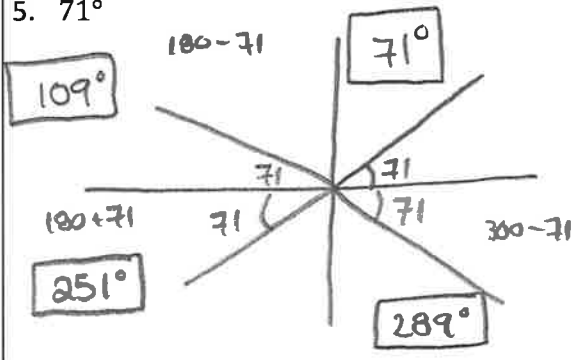
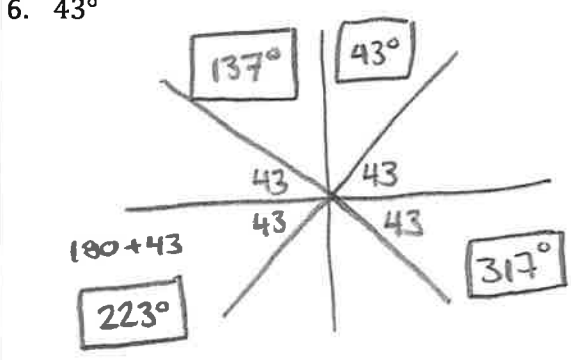
Determine the smallest positive co-terminal angle for the given angle.

<p>1. 400°</p> $400 - 360 = \boxed{40^\circ}$	<p>2. -821°</p> $-821 + 360 = -461$ $-461 + 360 = -101$ $-101 + 360 = \boxed{259^\circ}$
---	--

Find the reference angle for the following

<p>3. 1000°</p> $1000 = 360(2.\bar{8})$ $1000 - 2 \cdot 360 = 280^\circ$ 	<p>4. -204°</p> $-204 + 360 = 156$ 
--	--

Find all angles, $0^\circ \leq \theta < 360^\circ$, that have the given reference angle.

<p>5. 71°</p> 	<p>6. 43°</p> 
---	--